

DURAPAN™ SERIES

ELECTRIC, OPEN OR MODULAR BASE,
30 & 40 GALLON (115 & 150 LITER)

Project _____
 Item _____
 Quantity _____
 FCSI Section 11400 _____
 Approved _____
 Date _____

Models

- SEL-30-TR • SEM-30-TR
- SEL-40-TR • SEM-40-TR



Open base model shown

- Space-Saving Design- No Clearance Required at rear or sides (optional Faucet and Console requires 4 1/2" on one side)
- All Stainless Steel Construction for durability and easy cleaning
- Adjustable, Electronic Thermostat controls temperature from 100°F to 425°F
- High Efficiency Heating System with even heat distribution - 14 kW's for 30 gallon models, 18 kW's for 40 gallon models
- Fast Heat-Up and Recovery Time-Preheats in 15 minutes, full capacity from cold to boiling in 60 minutes
- Spring Assist Cover with Adjustable Vent and Full Width Handle
- On/Off Switch, Thermostat Knob and Pilots, recessed to avoid breakage
- Four Stainless Steel, Level adjustable feet, rear flanged for bolting
- Serviceable from the front of the unit
- Two Pilot Lights; Green = Power on, Amber = Temperature Cycling
- Splash Proof Controls and Water Tight Electrical Connections
- High Limit Safety Device set at 450°F (232°C)
- Anti-Splash Pouring Lip
- Typical approvals include UL, CSA, CE and NSF

Short Form Specifications

Shall be CLEVELAND, Tilting Skillet;
 Model SE - _____ - TR _____ KW, _____ Volts
 holding no less than _____ gallons (_____
 liters); Complete with thermostatic and Safety
 Controls; Gallon Markings; Stainless Steel Clad;
 5/8" Cooking Surface; Hand Tilt; Spring Assist
 Cover with adjustable Vent. All Stainless Steel
 Construction. No Clearances Required.

Standard Features

- Leg or Modular Base
- Full 30/40 Gallon (115/150 Liters) Capacity Rating to Bottom of Pouring Lip
- Hydraulic Hand Tilt with quick lowering feature (HTS)
- Stainless Steel Clad 5/8" Cooking Surface Guaranteed against warpage
- Stainless Steel Coved Cornered Pans with both Gallon and Liter Markings

Options & Accessories

- Sliding Drain Drawer with Splash Screen (SLD) (for SEL models only)
- Power Tilt with Hand Tilt Override (PT1)
- Double or Single Pantry Faucet (SPS14, DPS14), includes Faucet Mounting Bracket
- Double or Single Pantry Skillet Filler with 60" hose (SKF-S or DKF-S)
- Hot & Cold Water Pre-Rinse Spray Head with Hose (PRS-S)
- Voltage Options:
 - VOSK1, 240 Volt, 60 Hz, 3 Phase
 - VOSK2, 380/415 Volt, 50 Hz, 3 Phase - for export
 - VOSK3, 440/480 Volt, 60 Hz, 3 Phase
- Food Strainers for pouring spout (FS)
- Vegetable Steamers (VS)
- Poaching Pans (PP)
- Wall Mounting (WMS)
- In-Wall Carriers (IWCS)
- Pan Carriers (PCS), not available on 30 gallon models with a Tangent Draw-Off Valve
- 2" Tangent Draw-Off Valve (TD2), left side only

KE004046-89

MODEL	A	B	C	D	E	F	G
SEL-30-TR	36"	32"	9"	5"	20"	3"	32 7/8"
	(915mm)	(812mm)	(229mm)	(127mm)	(508mm)	(76mm)	(835mm)
SEL-40-TR	48"	44"	12 1/8"	8"	22"	6"	44 7/8"
	(1220mm)	(1118mm)	(308mm)	(203mm)	(559mm)	(153mm)	(1140mm)

SPECIFICATIONS

CLEARANCE	APPROX. SHIPPING WEIGHTS & DIMENSIONS	
RIGHT: 1" (26mm) (4 1/2"/115mm with Faucet)	SEL-30-TR	SEL-40-TR
LEFT: 1" (26mm)	Weight - 503 lbs	Weight - 610 lbs
REAR: 1" (26mm)	Width - 44"	Width - 48"
	Depth - 44"	Depth - 58"
	Height - 55"	Height - 54"



EXTERIOR HINGES (REQUIRED FOR OPTIONAL TD 2)

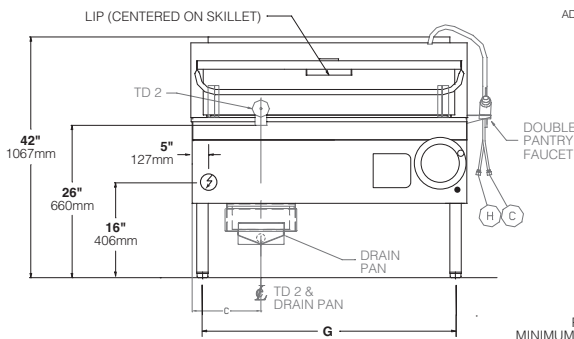
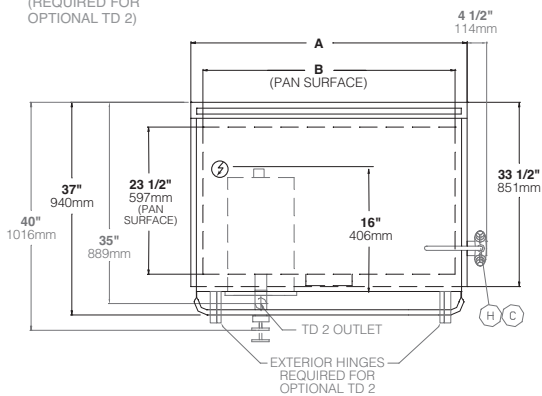
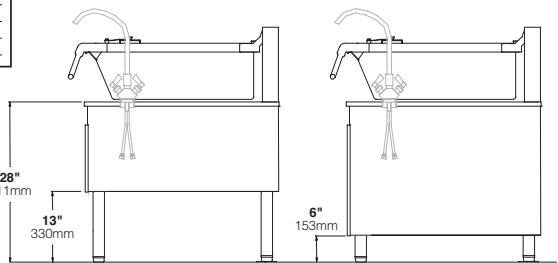
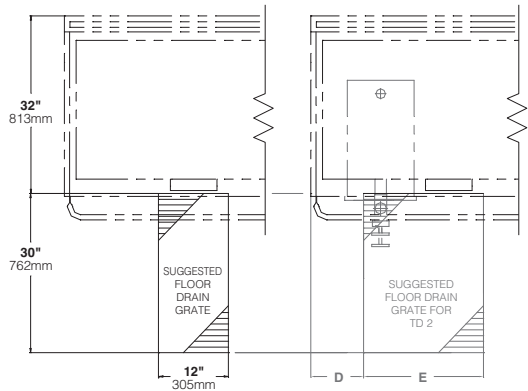
ELECTRICAL

SEL-30-TR & SEM-30-TR (Standard Wattage)						
Volts	Ph	Hz	Total Watts	Amps	Wire Size	
208	1	60	14400	69.2	4	
208	3	60	14400	40	8	
240	1	60	14400	60	6	
240	3	60	14400	34.6	8	
380	1	50	14400	37.9	8	
380	3	50	14400	21.9	10	
416	1	50	14400	34.6	8	
416	3	50	14400	20	10	
480	1	60	14400	30	8	
480	3	60	14400	17.3	10	

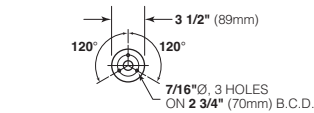
SEL-40-TR & SEM-40-TR (Standard Wattage)						
Volts	Ph	Hz	Total Watts	Amps	Wire Size	
208	1	60	18000	86.5	3	
208	3	60	18000	50	6	
240	1	60	18000	75	4	
240	3	60	18000	43.4	8	
380	1	50	18000	47.3	6	
380	3	50	18000	27.3	10	
416	1	50	18000	43.3	6	
416	3	50	18000	25	10	
480	1	60	18000	37.5	6	
480	3	60	18000	21.7	10	

CAPACITIES

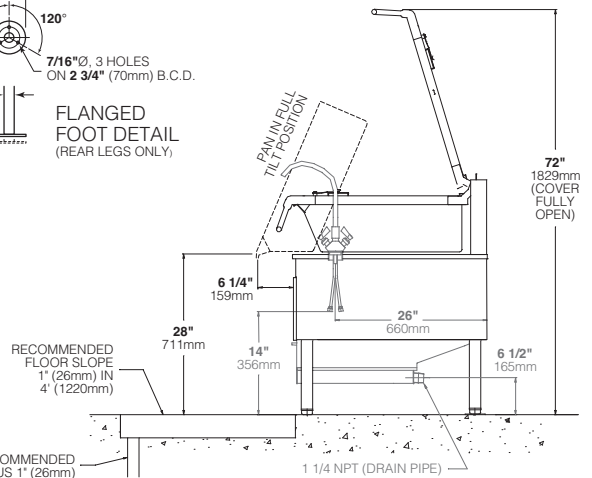
In 4 oz. servings. Other sizes may be calculated.
 30 gallons / 115 Liters 960
 40 gallons / 150 Liters 1280



NOTE: NON STANDARD ITEMS ARE SHOWN IN GRAY



FLANGED FOOT DETAIL (REAR LEGS ONLY)


NOTES:

Cleveland Range reserves right of design improvement or modification, as warranted.
 Many regional, state and local codes exist and it is the responsibility of the owner and installer to comply with the codes.
 Cleveland Range equipment is built to comply with applicable standards for manufacturers. Included among those approval agencies are U.L., NSF, CGA, CSA, ETL and others.

(NOT TO SCALE)